

# MAKATI HOUSE PIPING & ELECTRICAL SCHEMATICS AND PHOTOS

## Mode of operation:

- Nawasa cold water (cw) usually is at about 30-35 psi, while solar heated hot water (hw) is gravity fed at about 8 psi.
- When hot water is needed, any hw valve is opened fully, and it takes some minutes for the water to become warm, and flow is weak.
- It is best to run the booster pump via the pushbutton on remote control station in the corridor. Pump can run for about 30 minutes.
- Mixing valves must be carefully adjusted, as hw can get scalding.
- The neon glow light on remote station is marked "standby mode", and goes off when pump is run.
- The timer is adjustable from 0-30 minutes, and is defeatable by a switch, in which case pump runs all the time unless manually stopped by pushbutton.
- The packaged solar heater has a booster electric heater, computer controlled, but control is defective, so a manual switch has been added.

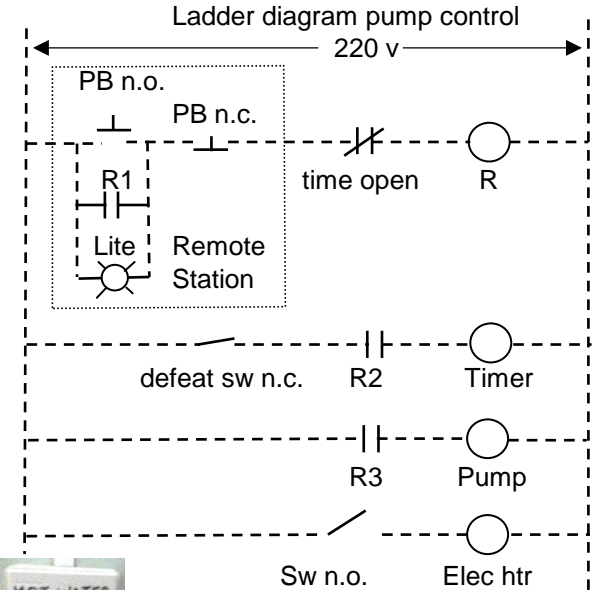
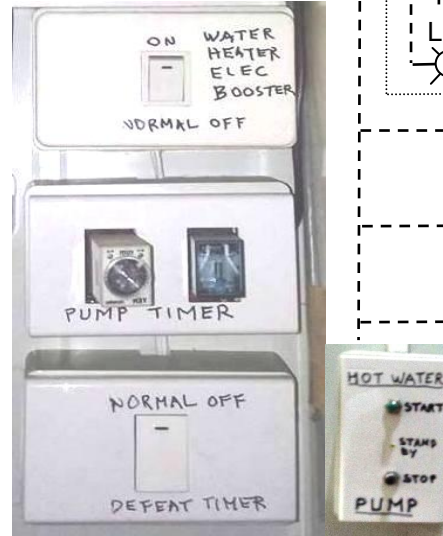
Pictures:

rightmost, controls  
right, solar heater  
below, booster pump



## Legend:

- PB pushbutton
- n.o. normally open
- n.c. normally closed
- relay / device
- +| relay contact



## Legend:

- Valves, normally open
- Valves, faucets, normally closed
- Mixing valve hw & cw
- Balancing valve
- One-way valve
- Hot water line
- Cold water line

Street main  
Nawasa valve & meter



vent & overflow

Float assembly

Solar tubes, 10 sets, on roof

Solar heated Overhead tank

Circ loop

Hot water booster circulating pump, w/ press gauge, push button start, timed control

front patio hose bibb

Driveway hose bibb w/ gauge

Kitchen sink

Common T&B lav

Common T&B shwr

Master T&B lav

Master T&B shwr

Provision washer

drain